


3.7 BASE HEATER KIT (CW-H-E1)

PCZ012D007A 


Model Name: CW-H-E1

WARNING

- Follow the instruction and installation manual for outdoor unit when installing the heater.
- This heater must be installed by authorized personnel.
- Turn off the power source when the kit is installed.
- Failure to follow the above will result in serious accident like electrical shock or fire.

AREAS TO BE APPLIED

This kit is to be used in an area where the lowest temperature drops below zero.

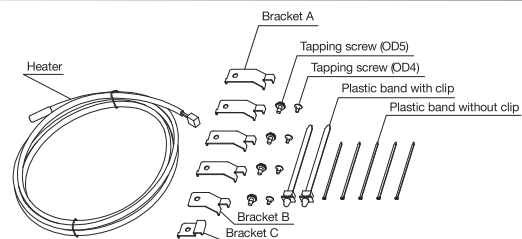
 **Caution:** In case the heater is not applied on the unit which is installed in an area mentioned above, it may be regarded as installation failure and warranty may not be given.

CAUTION

- Follow the law or regulation of the country where it is installed.
- Do not alter the heater.
- Lay down the heater so that the edge of the sheet metal does not damage the heater.
- Bending radius must be bigger than 25mm.
- Do not use the heater near flammable substances.
- Be sure to check the electrical insulation before use.
- Be sure to check the drain is not trapped by the heater.
- Do not leave refrigerant oil on the base.

Components

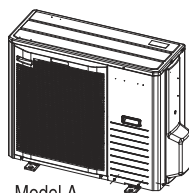
- Heater : 1 pc.
- Bracket A : 4 pcs.
- Bracket B : 1 pcs.
- Bracket C : 1 pcs.
- Tapping screw (OD5) : 4 pcs.
- Tapping screw (OD4) : 4 pcs.
- Plastic band with clip : 2 pcs.
- Plastic band : 5 pcs.



Applicable model

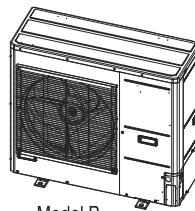
This heater kit is applicable for 3 different models.

<Model A>
Single fan with plastic fan guard model



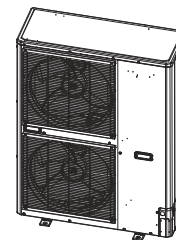
Model A

<Model B>
Single fan model



Model B

<Model C>
Double fan model

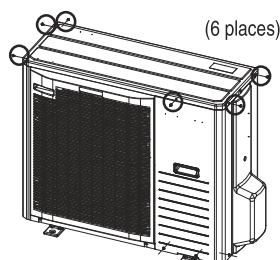


Model C

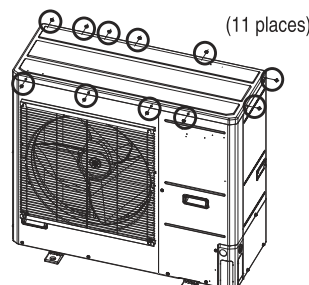
Installation procedure

Step 1

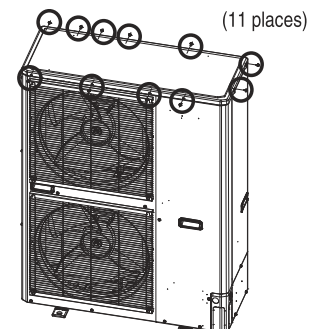
1. Remove the top panel of the outdoor unit.



Model A

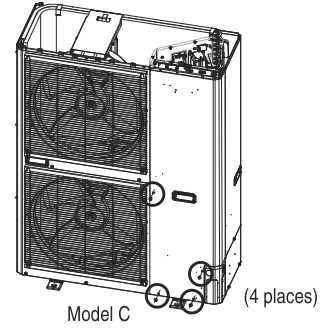
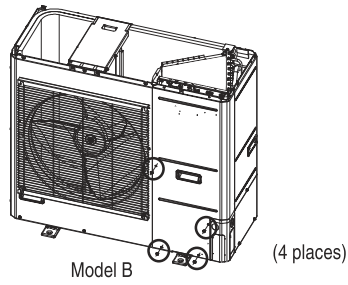
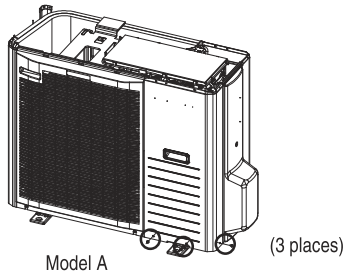


Model B

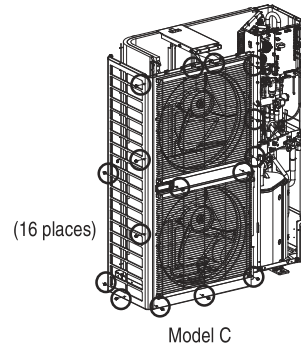
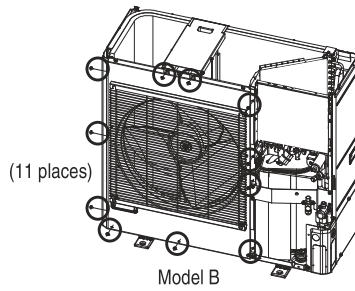
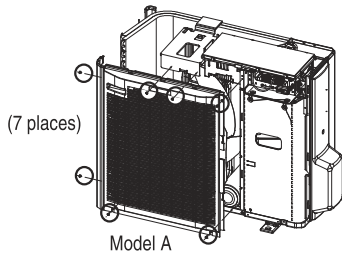


Model C

Step 2 2. Remove the service panel.

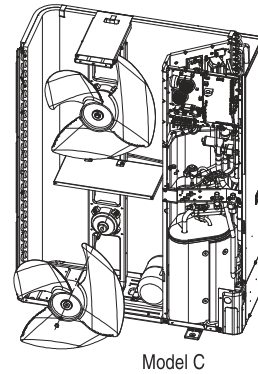
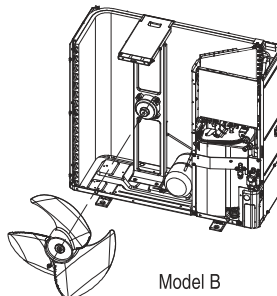
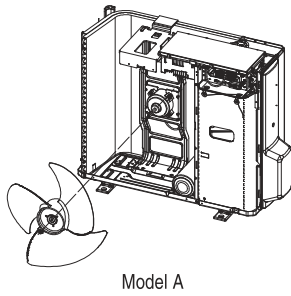


Step 3 3. Remove the front panel.
Pull the panel straightforward so that the panel doesn't touch the fan blade.

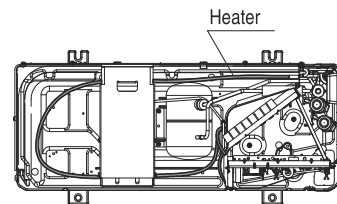
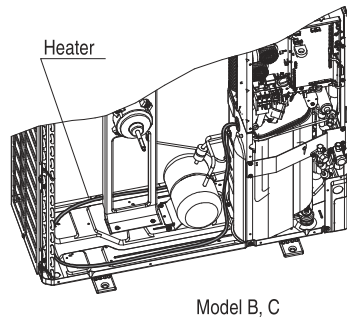
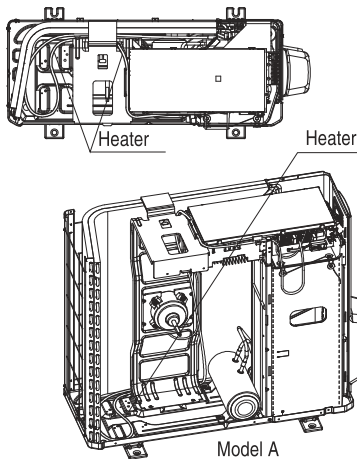


Step 4 4. Remove the fan blade if necessary. **<Note>**

Do not rotate the axis of fan motor when removing the fan blade. It may cause malfunction of the fan motor.

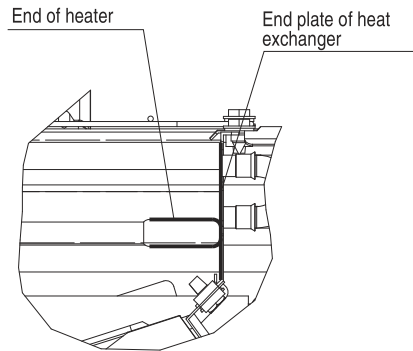


Step 5 5. Lay down the drain pan heater on the base.
For model A, put the cables rear the fan motor bracket.



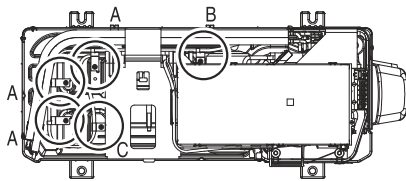
Step 6

6. Put the heater underneath the heat exchanger and align the end of heater with the end plate of heat exchanger.

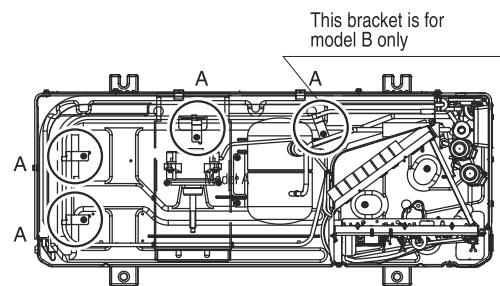


Step 7

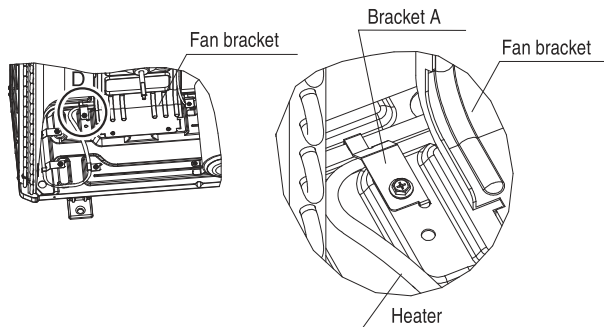
7. Fix the heater with brackets.



For model A, use 3 pcs of bracket A, 1pc of bracket B and C. Fix bracket A and C with the attached screw (OD4), and fix bracket B with the removed screw which is fastened at the same place.

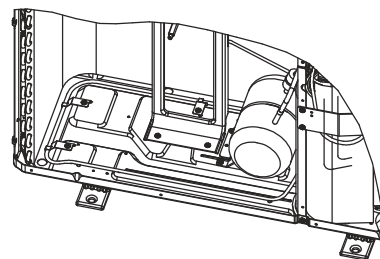


For model B and C, fix bracket A with the attached screw (OD5).



Model A

Detail view D



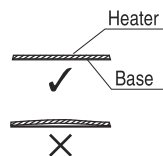
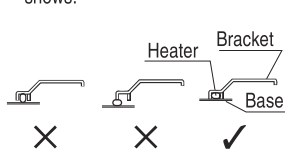
Model B, C

<Note for model A>

- 1) Put the end of heating part just after the bracket C.
- 2) Fix the incoming and out going cable with one bracket A on the left of fan bracket as figure shows.

<Note>

- 1) Fix the heater so that the bracket doesn't pinch the heater as figure shows.
- 2) Place the heater so as to touch the base completely.
- 3) In bending position, twist the heater to make it easier to bend, and get back to be able to fix it with bracket.
- 4) Be careful not to be injured by aluminum fin when fixing the heater with screw.



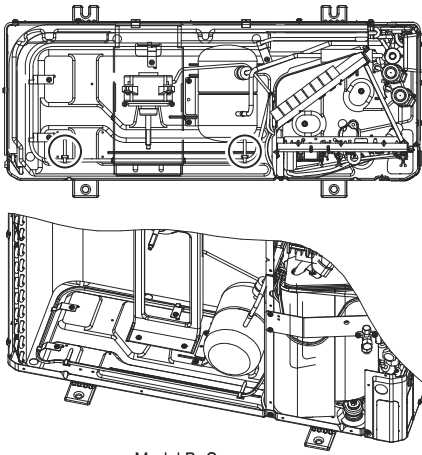
Step 8

8. Insert the plastic band with clip on the designated place (2 places), and fix the heater.(Model B,C only)

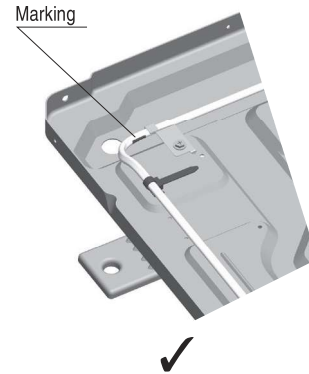
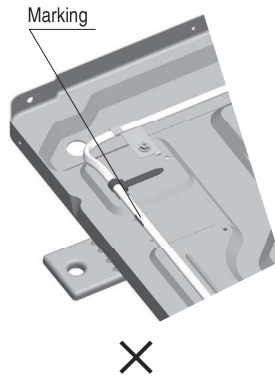
<Notes>

1) Do not fasten the heating part with the plastic band.
There is a marking on the end of heating part.

2) When the heater is laid down correctly, the end of heating part comes to the corner of the base.



Model B, C



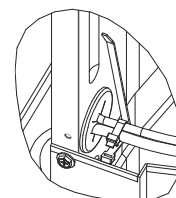
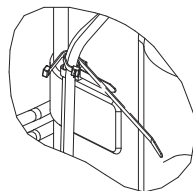
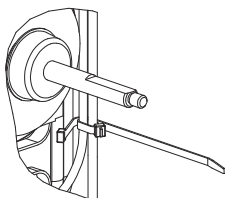
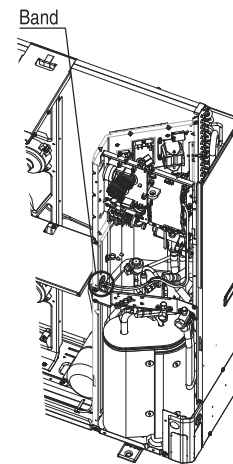
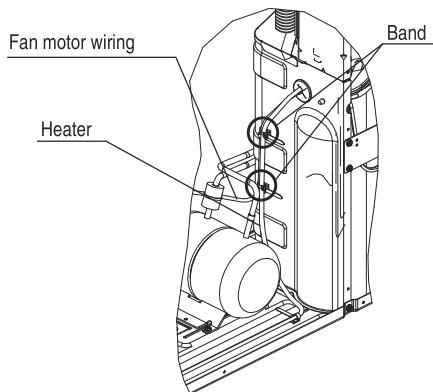
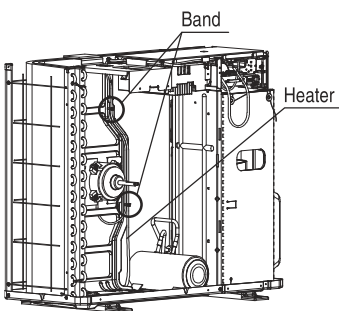
Step 9

9. Lay down the wiring on the same route of fan motor wiring, and fix the wire with attached plastic band at the same place where the fan motor wiring is banded.

Model A

Model B

Model C



<Note>

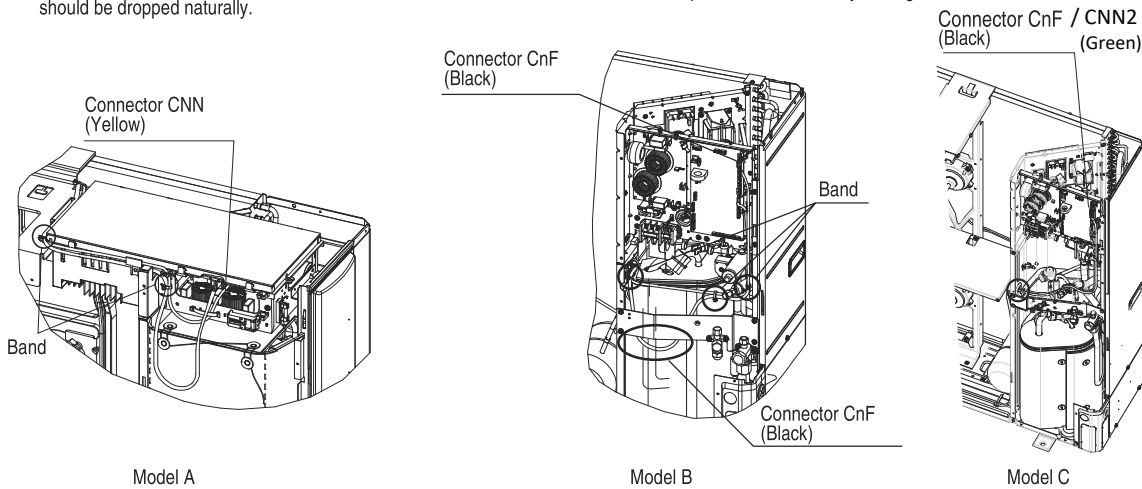
Fan motor wiring is banded on the bracket so that it doesn't loosen.
Do not loose the band for the motor wiring to band the heater wire together but use the attached plastic band.

Step 10

10. Insert the connector to the port (Model A: CNN, Model B,C:CNF) on the PCB, and fix the wire with bands. Excess part of the wire should be dropped naturally.

<Note>

Be sure to cut the excess part of plastic band. It may cause abnormal noise when hit by fan blade or misassembling of panels. Do not bundle excess part of the wire. It may damage the heater.

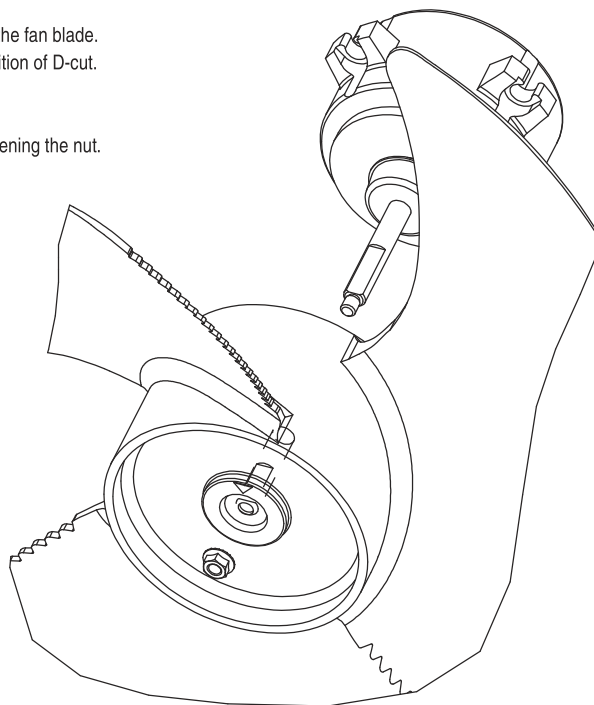


Step 11

11. Reassemble the fan blade.
Take care to align the D-cut of motor shaft and the fan blade.
▽ mark on the center of the fan shows the position of D-cut.

<Notes>

1. Tightening torque of the nut is 4.0-4.9 N·m.
2. Do not rotate the axis of fan motor when tightening the nut.
It may cause malfunction of the fan motor.



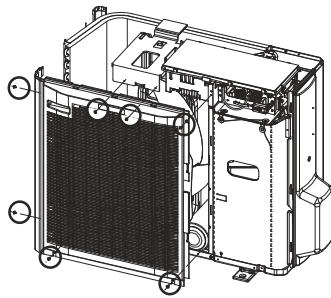
<Notes>

- This heater should have bending radius of at least 25mm including non-heating part. Do not bundle the excess part of the wire. It may cause disconnection of the heater or insufficient capacity.
- Be sure to prevent the heater from touching any refrigerant piping.
Especially, pay close attention not to make it touch with pipes which are close to the wiring route such as suction pipe, check valve and check joint.

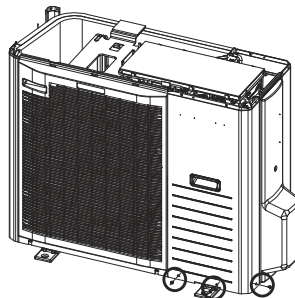
Step 12

12. Reassemble the panels.

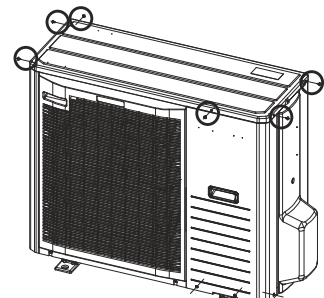
[Model A]



Front panel

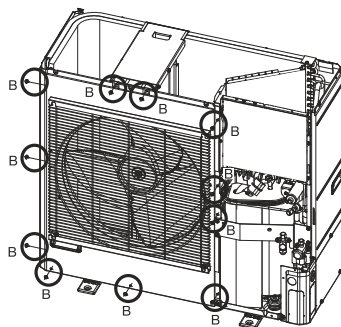


Service panel

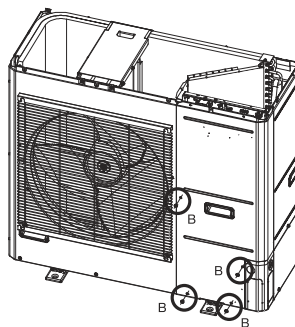


Top panel

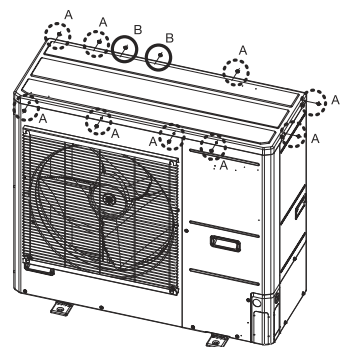
[Model B]



Front panel

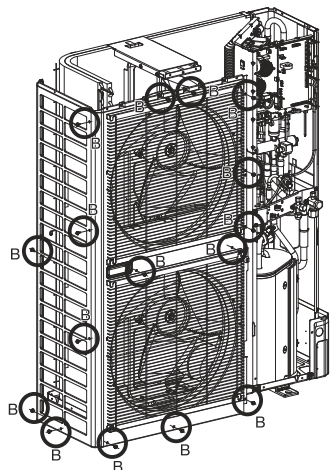


Service panel

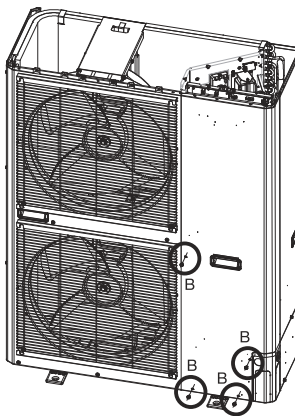


Top panel

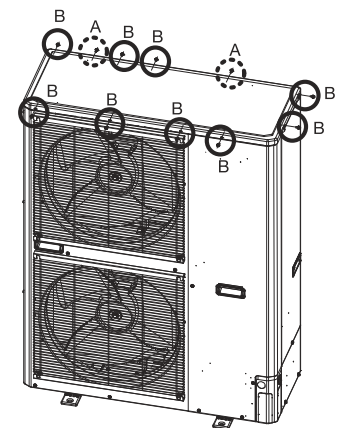
[Model C]



Front panel



Service panel



Top panel

<Notes>

- 1) When reassembling the service panel, take care not to damage the front panel with the edge.
- 2) Top panel of model B and model C is fixed with two different screws.
Be sure to use correct screw as figure shows.



A



B