

Date 13/9/2021
 For the attention of:
 Reference
 Operator



ANGLED/CABINET UNIT COOLERS
Type: SMA 211 N 45 CO2 DX
N. units: 1

Spec. CO2 - DX

Refriger (u) 2021 Ver. 2.2.2.374 - PRICE LIST 07/2021

Inlet air temp. (room)	[°C]		0,0
Room relative humidity	[%]		85
Refrigerant			CO2
Altitude	[m]		0
Residual static pressure	[Pa]		0
DT1 needed for unit cooler	[K]		8,0
Connection		230V-1PH-50Hz	
Actual capacity	[W]		2.180
Air flow	[m3/h]		1.200,0
Air throw	[m]		10
Outlet air temperature	[°C]		-4,0
Evaporating temp	[°C]		-8,0
DT superheating	[K]		5,0
Temp. before expansion valve	[°C]		5,0
DT1	[K]		8,0
DTmlg	[K]		5,8
Fluid pressure drop	[K]		0,3
RC factor (Sensible capacity/Total capacity)	[%]		75,0
Fan motor consumpt.	[W]		75
Power draw	[A]		0,34
Max fan absorbed current*	[A]		0,37
Fan speed	[1/min]		1400
Sound pressure level (5 m) 5	[dB(A)]		41
Sound Power Level	[dB(A)]		66
N° Fans	[mm]	1 x 300	Weight [kg] 20
Poles	[n]	4	Connections in [n] x [mm] 1 x 10
Fin spacing	[mm]	4,5	Connections out [n] x [mm] 1 x 10
Internal volume	[dm3]	1,1	Drain tray connection ["] 3/4
Surface	[m2]	6,6	Overall dimensions [mm] 792 x 683 x 292
Max Working pressure	[bar]	60,0	
Casing material	Powder coated galvanized steel RAL 9003		Fin material Al
Header material	Cu		Tube material Cu

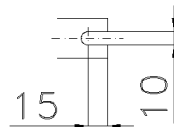
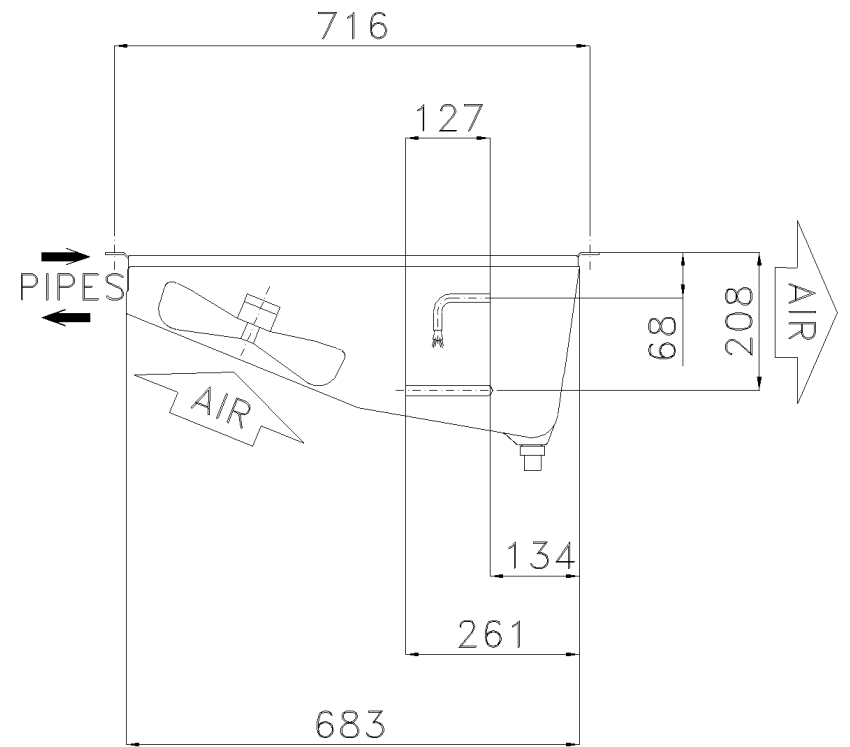
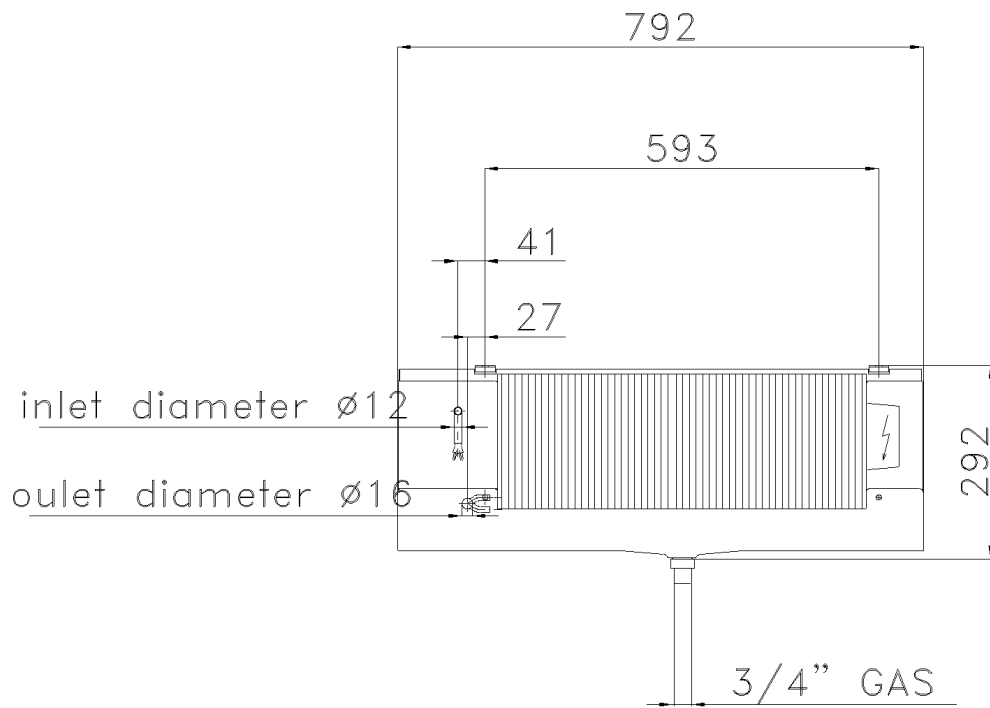
* Refer to LU-VE S.p.A. instruction manuals for details, data and standards. Noise level in 5m free field. The current may increase according to temperature frost quantity, external static pressure. The weight and dimensions are not valid for all possible configurations. All fans are ErP 2015-compliant (Directive 2009/125/EC Energy-related products). LU-VE S.p.A. reserves the right to modify and correct at any time, with or without notice, the specifications and prices listed in the Refriger software.

LUVE S.p.A Headquarters Uboldo ITALY via caduti della Liberazione, 53

Tel +39 02 967161 Fax +39 02 96780560 mail sales@luvegroup.com web www.luve.it

Australia	USA	France	Thailand	Poland	Italy	UAE
Austria	China	Germany	India	Russia	Spain	UK & Eire

For contact details see www.luve.it



Date	4-11-2006	Type: SMA 211 N 45 C02 DX
Scale	1:1	Code: 10054858

Standard unit without accessories. For the connections please refer to the data sheet.