

Date 27/11/2015
 For the attention of:
 Reference
 Operator



COMMERCIAL UNIT COOLER:CUBIC
Type: F35HC 47 E 7
N. units: 1

Refriger (u) 2015 Ver. 2.1.4.293 - PRICE LIST 1/2015

Inlet air temp. (room)	[°C]	-22,0
Room relative humidity	[%]	85
Refrigerant		R448A
Altitude	[m]	0
Residual static pressure	[Pa]	0
DT1 needed for unit cooler	[K]	8,0

Connection 230V-1PH-50Hz

Actual capacity	[W]	3 090
Air flow	[m3/h]	2 700,0
Air throw	[m]	20
Outlet air temperature	[°C]	-24,3
Evaporating temp	[°C]	-30,0
DT superheating	[K]	5,0
Temp. before expansion valve	[°C]	9,4
DT1	[K]	8,00
DTmlg	[K]	6,78
Fluid pressure drop	[K]	1,0
RC factor (Sensible capacity/Total capacity)	[%]	91,8
Energy efficiency class		D (2014 thresholds)
Fan motor consumpt.	[W]	175
Power draw	[A]	0,8
Max fan absorbed current	[A]	0,91
Fan speed	[1/min]	1450
Sound pressure level (5m)	[dB(A)]	48
Sound Power Level	[dB(A)]	73
Electric defrost (230 V)	[W]	2 075
COMPRESSOR CAPACITY	[W]	3 090 (-30,0 / 40,0 °C)
Required condenser capacity	[W]	5 400 (Type Semi - hermetic)

N° Fans	[mm]	1 x 350	Weight	[kg]	25
Poles	[n]	4	Connections in	[n] x [mm]	1 x 12
Fin spacing	[mm]	7	Connections out	[n] x [mm]	1 x 28
Internal volume	[dm3]	2,10	Drain tray connection	["]	3/4
Surface	[m2]	8,7	Overall dimensions	[mm]	865 x 460 x 487
Max Working pressure	[bar]	24,0			

Casing material	Powder coated galvanized steel RAL 9003	Fin material	Al
Header material	Cu	Tube material	Cu

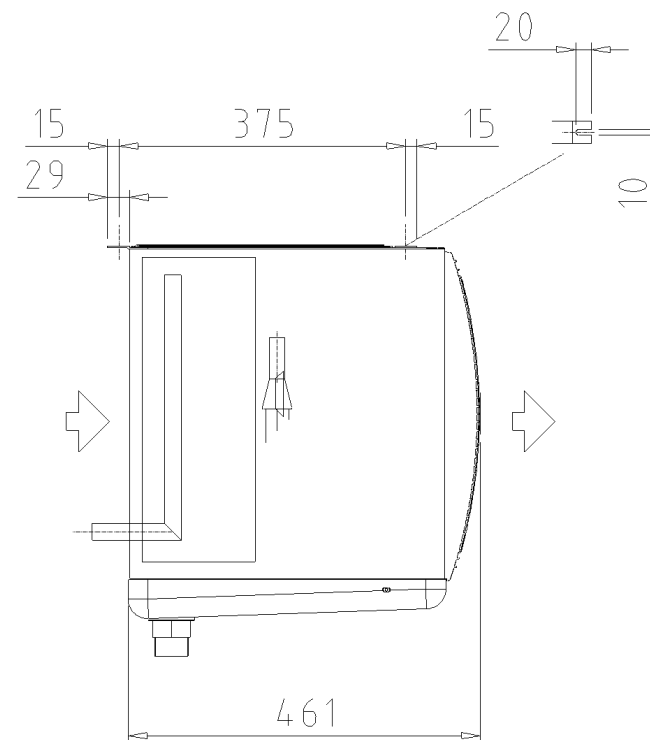
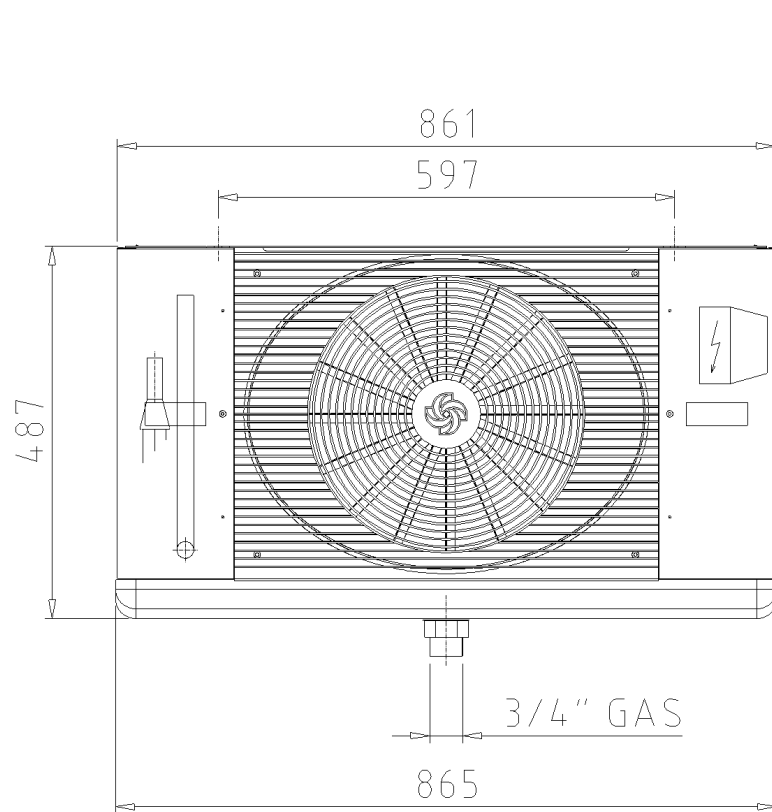
* Refer to LU-VE S.p.A. catalogues for details, presentation of data and standards. Noise level in 5m free field. The current may increase according to temperature frost quantity, external static pressure. The weight and dimensions are not valid for all possible configurations. All fans are ErP 2015-compliant (Directive 2009/125/EC Energy-related products). LU-VE S.p.A. reserves the right to modify and correct at any time, with or without notice, the specifications and prices listed in the Refriger software.

LUVE S.p.A Headquarters Uboldo ITALY via caduti della Liberazione, 53

Tel +39 02 967161 Fax +39 02 96780560 mail sales@luvegroup.com web www.luve.it

Australia	Costa Rica	France	Hong Kong	Poland	Singapore	UAE
Austria	China	Germany	India	Russia	Spain	UK & Eire

For contact details see www.luve.it

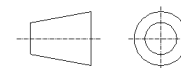


Date 4-3-2008

Type: F35HC 47 E 7

Scale 1:10

Code: 10054814



Drawing refers to a machine in standard configuration, accessories not shown.