

Date 28/11/2019  
 For the attention of:  
 Reference  
 Operator



## ANGLED/CABINET UNIT COOLERS

Type: SHS 8 N

N. units: 1

Refriger (u) 2019 Ver. 2.2.0.347 - PRICE LIST 02/2019

Inlet air temp. (room)	[°C]		2,0
Room relative humidity	[%]		85
Refrigerant			R448A
Altitude	[m]		0
Residual static pressure	[Pa]		0
DT1 needed for unit cooler (Dew)	[K]		10,0
<b>Connection</b>		<b>230V-1PH-50Hz</b>	
<b>Actual capacity</b>	<b>[W]</b>		<b>870</b>
Air flow	[m3/h]		440,0
Air throw	[m]		6
Outlet air temperature	[°C]		-2,4
Evaporating temp (Dew)	[°C]		-8,0
DT superheating (Dew)	[K]		5,0
Temp. before expansion valve	[°C]		30,0
DT1 (Dew)	[K]		10,0
DTmlg	[K]		7,6
Fluid pressure drop	[K]		0,2
RC factor (Sensible capacity/Total capacity)	[%]		71,8
Energy efficiency class			E <b>(2014 thresholds)</b>
Fan motor consumpt.	[W]		35
Power draw	[A]		0,22
Max fan absorbed current*	[A]		0,22
Fan speed	[1/min]		1400
Sound pressure level (5m)	[dB(A)]		38
Sound Power Level	[dB(A)]		63
N° Fans	[mm]	1 x 230	Weight [kg] 5
Poles	[n]	4	Connections in [n] x [mm] 1 x 9
Fin spacing	[mm]	5	Connections out [n] x [mm] 1 x 9
Internal volume	[dm3]	0,28	Drain tray connection ["] 1/2
Surface	[m2]	2,0	Overall dimensions [mm] 493 x 428 x 171
<b>Max Working pressure</b>	<b>[bar]</b>	<b>24,0</b>	
Casing material	Safeshell plastic material, white		Fin material Al
Header material	Cu		Tube material Cu

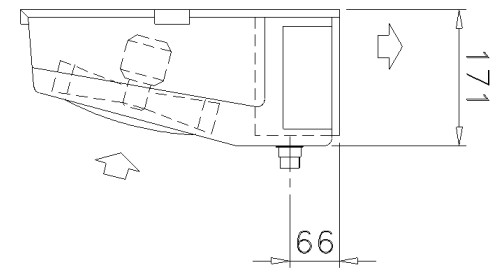
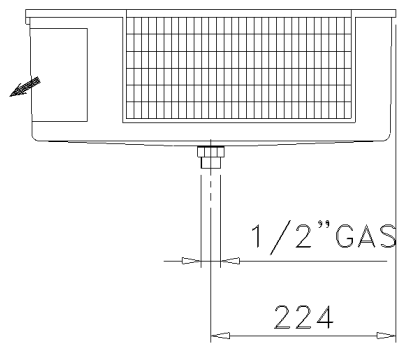
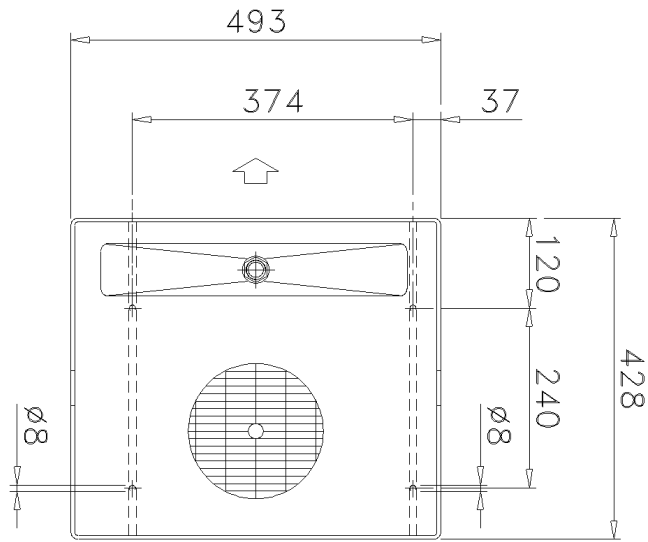
\* Refer to LU-VE S.p.A. instruction manuals for details, data and standards. Noise level in 5m free field. The current may increase according to temperature frost quantity, external static pressure. The weight and dimensions are not valid for all possible configurations. All fans are ErP 2015-compliant (Directive 2009/125/EC Energy-related products). LU-VE S.p.A. reserves the right to modify and correct at any time, with or without notice, the specifications and prices listed in the Refriger software.

LUVE S.p.A Headquarters Uboldo ITALY via caduti della Liberazione, 53

Tel +39 02 967161 Fax +39 02 96780560 mail [sales@luvegroup.com](mailto:sales@luvegroup.com) web [www.luve.it](http://www.luve.it)

Australia	USA	France	Thailand	Poland	Italy	UAE
Austria	China	Germany	India	Russia	Spain	UK & Eire

For contact details see [www.luve.it](http://www.luve.it)



Date	14-10-2000	Type: SHS 8 N
Scale	1:10	Code: 10050698

Standard unit without accessories. For the connections please refer to the data sheet.